

MULTIBLOC® 1.RST8

Size 1, 250A, 690VAC, Design for bus bar installation, Triple Pole

IEC FUSE SWITCH DISCONNECTORS

NH FUSE SWITCH DISCONNECTOR



The production programme of MULTIBLOC® 1.RST8 comprises NH fuse switch disconnectors for 250A.

Products are designed in triple pole units for direct installation on to 40 mm and 60mm bus bar systems.

For installation of MULTIBLOC® NH fuse switch disconnectors of different sizes in distribution units with central cover, respective covers are used to obtain a uniform profile in height and length.

MULTIBLOC® size 1 are designed for NH fuse-links in accordance with IEC/EN 60269-2, VDE 0636-2, size 1: 250A.

The system is a modular system, which allows the installation and combination of individual components. MULTIBLOC® offers the user the possibility of fast and easy installation as well as a high degree of security during installation and maintenance.

TECHNICAL DATA OVERVIEW

Voltage AC	690 VAC
Voltage DC	440 VDC
Amper (A)	250 A
Size per Standard	1
SCCR	Ue = AC 400 V; Ie = 250 A 80kA Ue = AC 500 V; Ie = 250 A 80kA Ue = AC 690 V; Ie = 200 A 50kA (3-,4-pole)
Mounting	bus bar installation
Switchability	triple pole switching

FEATURES & BENEFITS

- Touch protection IP 20 (IP rating maintained if fuse-link in test mode)
- Padlocking and sealing of switch door cover - optional
- Parking position of switch operating cover even with fuse-links inserted
- Suitable for bottom/top cable terminal connections
- Cable termination: screw, bolt, clamp strap, extendable for V-terminal - optional
- Direct installation on 40 and 60mm bus bar systems (snap on)
- Universally useable for bus bars with thickness of 5 and 10mm and widths of 12-30mm
- For PV application, we recommend to mount the device on busbar systems with 10mm thickness
- Fuse monitoring - optional
- Indicating switch for switch door position - optional
- Safe on load connection/disconnection: accordance with IEC 60947-3

APPLICATIONS

- Panel boards for industrial use
- Feeder pillars for industrial use
- Meter distribution units
- Measuring transformer cabinets
- Transmitting stations for telecommunications

STANDARDS

- IEC/EN 60 947-3
For NH fuse-links size 1 in accordance with IEC/EN 60269-2, VDE 0636-2



MULTIBLOC® 1.RST8

Size 1, 250A, 690VAC, Design for bus bar installation, Triple Pole

PRODUCT RANGE



1.000.323



1.000.855

MULTIBLOC® 1.RST8 size 1 250A, 690VAC bus bar installation, triple pole

Catalog number	Item number	Poles	Cable termination components	Design	Package	Weight
1.000.323	T229879	3	3 M10 terminal screws	-	1 piece	3.09 kg
1.001.294	Q1023054	3	3 clamp straps 70–150 mm ²	-	1 piece	3.06 kg
1.003.134	R1023055	3	3 M10 terminal screws	with electronic fuse monitoring ESÜ installed (rated voltage = 525VAC)	1 piece	3.14 kg
1.000.855	M1023051	3	3 M10 terminal screws	with electro-mechanic fuse monitoring MZS installed (galvanic isolation)	1 piece	3.8 kg
1.000.936	P1023053	3	6 M10 terminal screws	main incomer	1 piece	4.68 kg

MULTIBLOC® 1.RST8

Size 1, 250A, 690VAC, Design for bus bar installation, Triple Pole

TECHNICAL DATA IN ACCORDANCE WITH EN / IEC 60947

1.RST8 triple pole	
Number of poles/phases	3
Size	1
Conventional free air thermal current with NH-fuse links I_{th}	250 A
Max. power dissipation of fuse links P_n	23 W
Conventional free air thermal current with solid links I_{th}	400 A
Max. power dissipation of solid links P_n	2,6 W
Rated operational voltage U_e	690 V
Utilization category to IEC/EN 60947-3 $U_e = AC 400 V; I_e = 250 A$ $U_e = AC 500 V; I_e = 250 A$ $U_e = AC 690 V; I_e = 200 A$ $U_e = DC 440 V; I_e = 250 A$	AC 23 B AC 22 B AC 21 B DC 21 B
Rated insulation voltage U_i	1000 V
Rated impulse withstand voltage U_{imp}	12 kV
Rated frequency	50 ... 60 Hz
Degree of protection	IP 20
Degree of pollution	3
Rated duty	uninterrupted duty
Rated short circuit making capacity with solid links I_{cm}	8.2 kAsw
Rated short-time withstand current I_{cw}	8 kA / 1 s
Rated conditional short-circuit current with fuse links $U_e = AC 400 V; I_e = 250 A$ $U_e = AC 500 V; I_e = 250 A$ $U_e = AC 690 V; I_e = 200 A$	80 kA 50 kA 50 kA
Power dissipation by I_{th} without NH-fuse links	20 W
Cable terminal connection	
Standard cable terminal	M10
for cable lugs Cu max.	2 x 150 mm ²
for cable lugs Al max.	2 x 185 mm ²
for copper bars with max. dimensions	30 x 10 mm
Bus bar terminal connection	
Bus bar width (bus bar system = 40 mm)	12 mm
Bus bar thickness (bus bar system = 40 mm)	5 ... 10 mm
Bus bar width (bus bar system = 60 mm)	12 ... 30 mm
Bus bar thickness (bus bar system = 60 mm)	5 ... 10 mm *
Bus bar system	40 mm 60 mm

*For PV application, we recommend to mount the device on Busbar systems with 10mm thickness

MERSEN reserves the right to change, update or correct, without notice, any information contained in this datasheet.

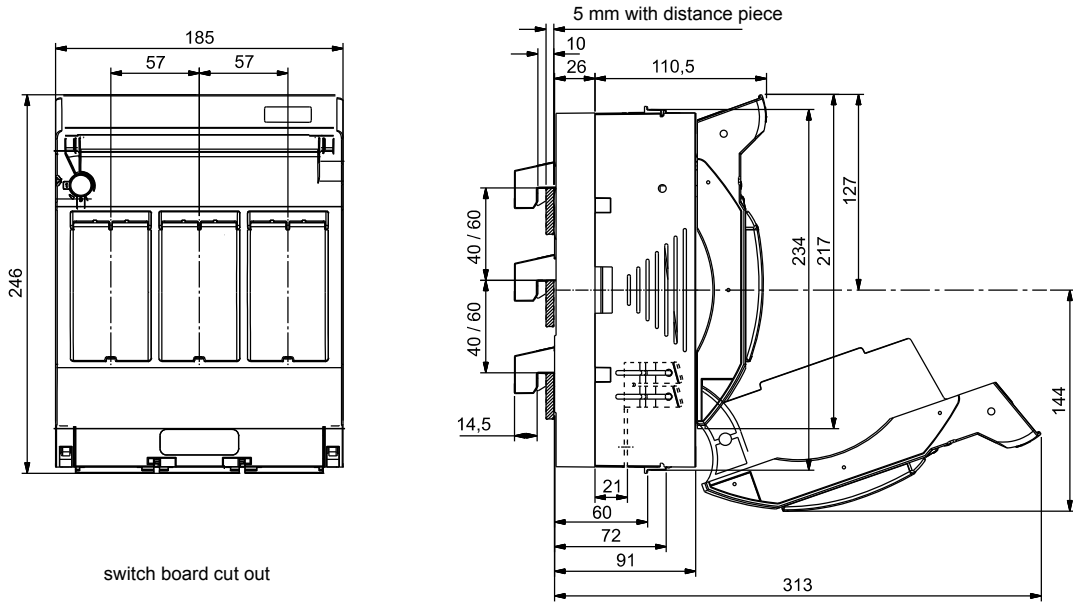
MULTIBLOC® 1.RST8

Size 1, 250A, 690VAC, Design for bus bar installation, Triple Pole

DIMENSIONS

MULTIBLOC® 1.RST8 NH-fuse switch disconnecter
triple pole design for bus bar installation

(M01123a)



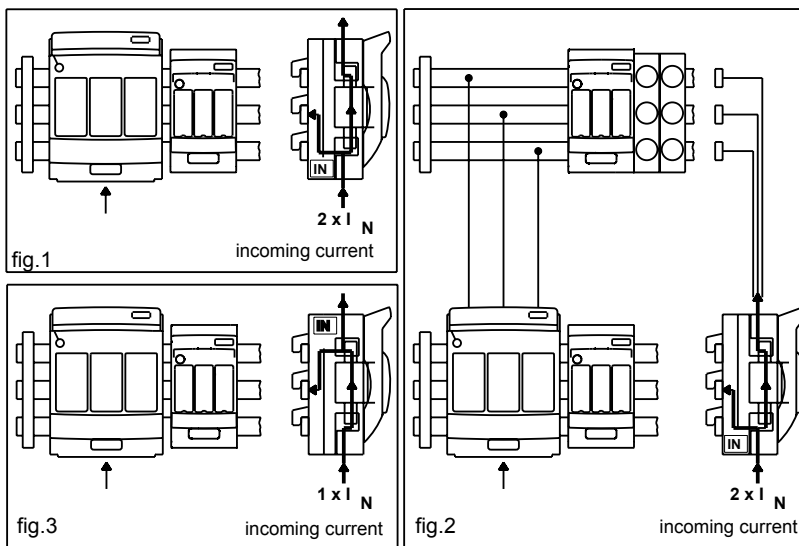
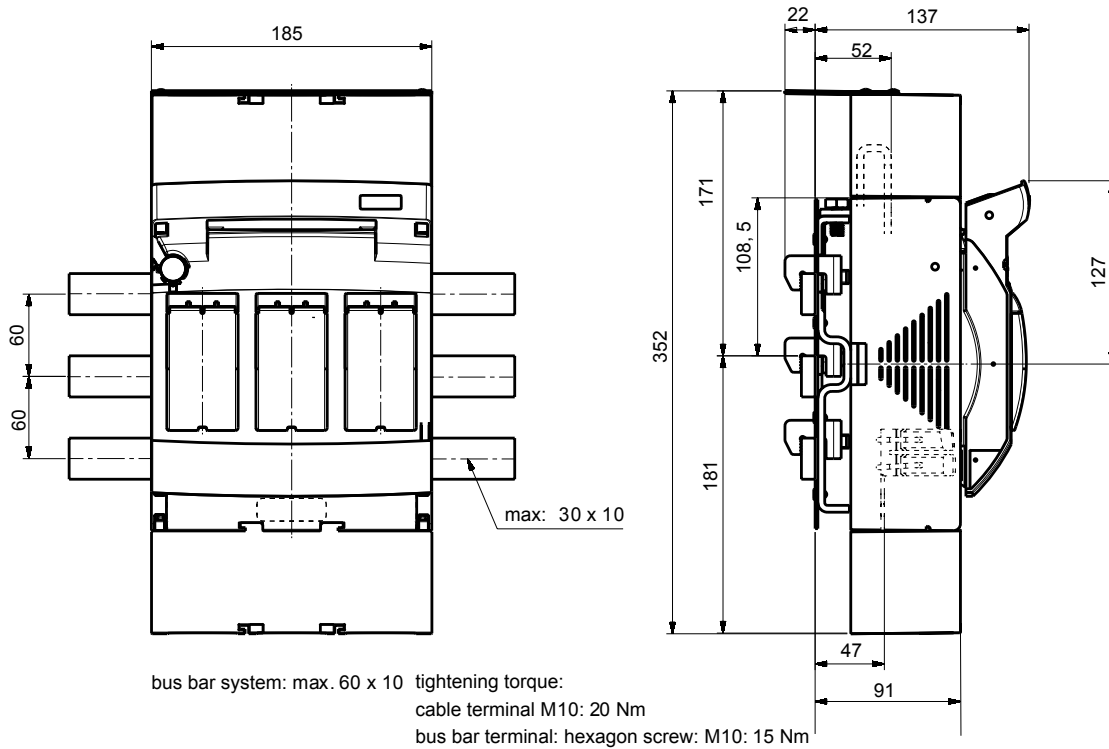
Dimensions in mm

MULTIBLOC® 1.RST8

Size 1, 250A, 690VAC, Design for bus bar installation, Triple Pole

DIMENSIONS

MULTIBLOC® main incomer size 1 (M01167-1)



Dimensions in mm

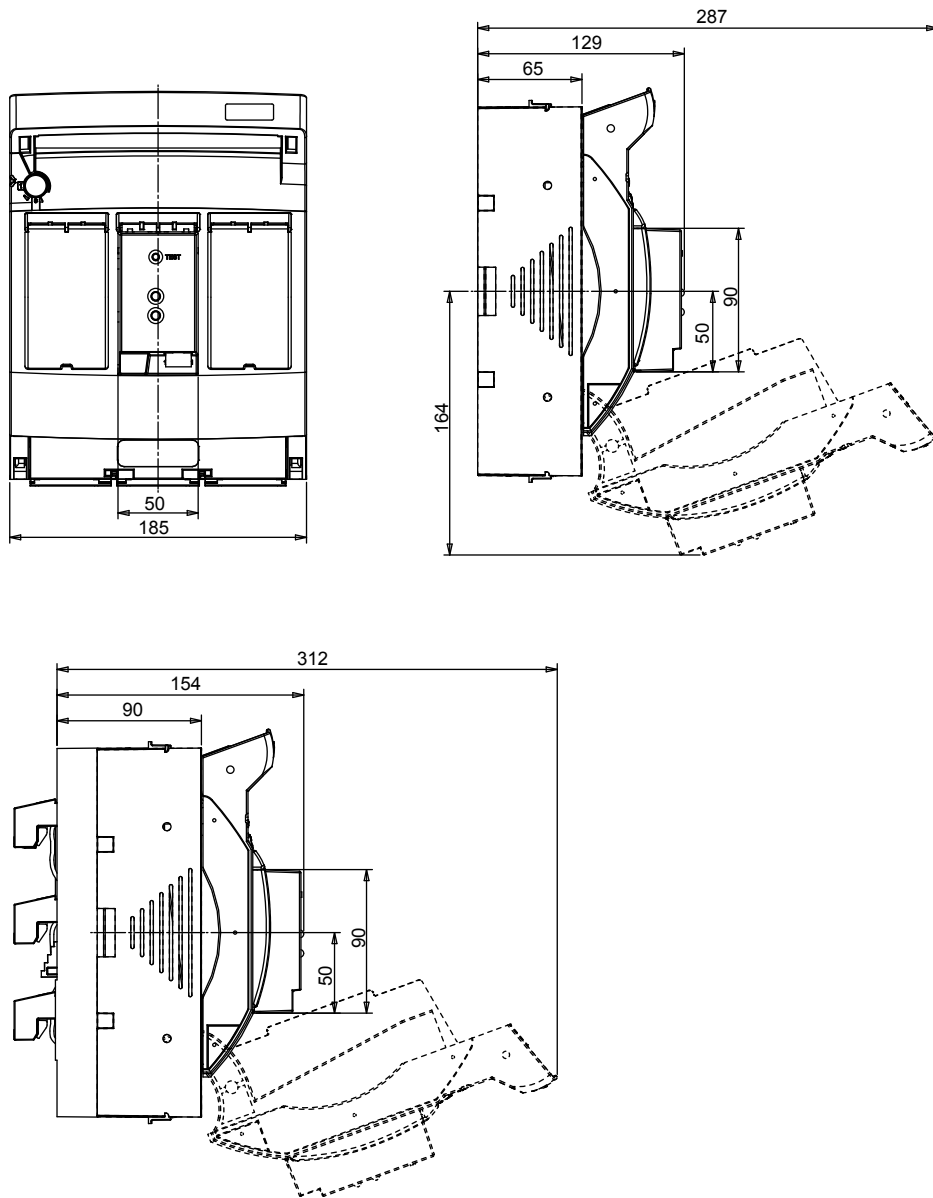
MULTIBLOC® 1.RST8

Size 1, 250A, 690VAC, Design for bus bar installation, Triple Pole

DIMENSIONS

MULTIBLOC® 1.ST8 and 1.RST8

triple pole with electronic fuse monitoring ESÜ (M01174-1)



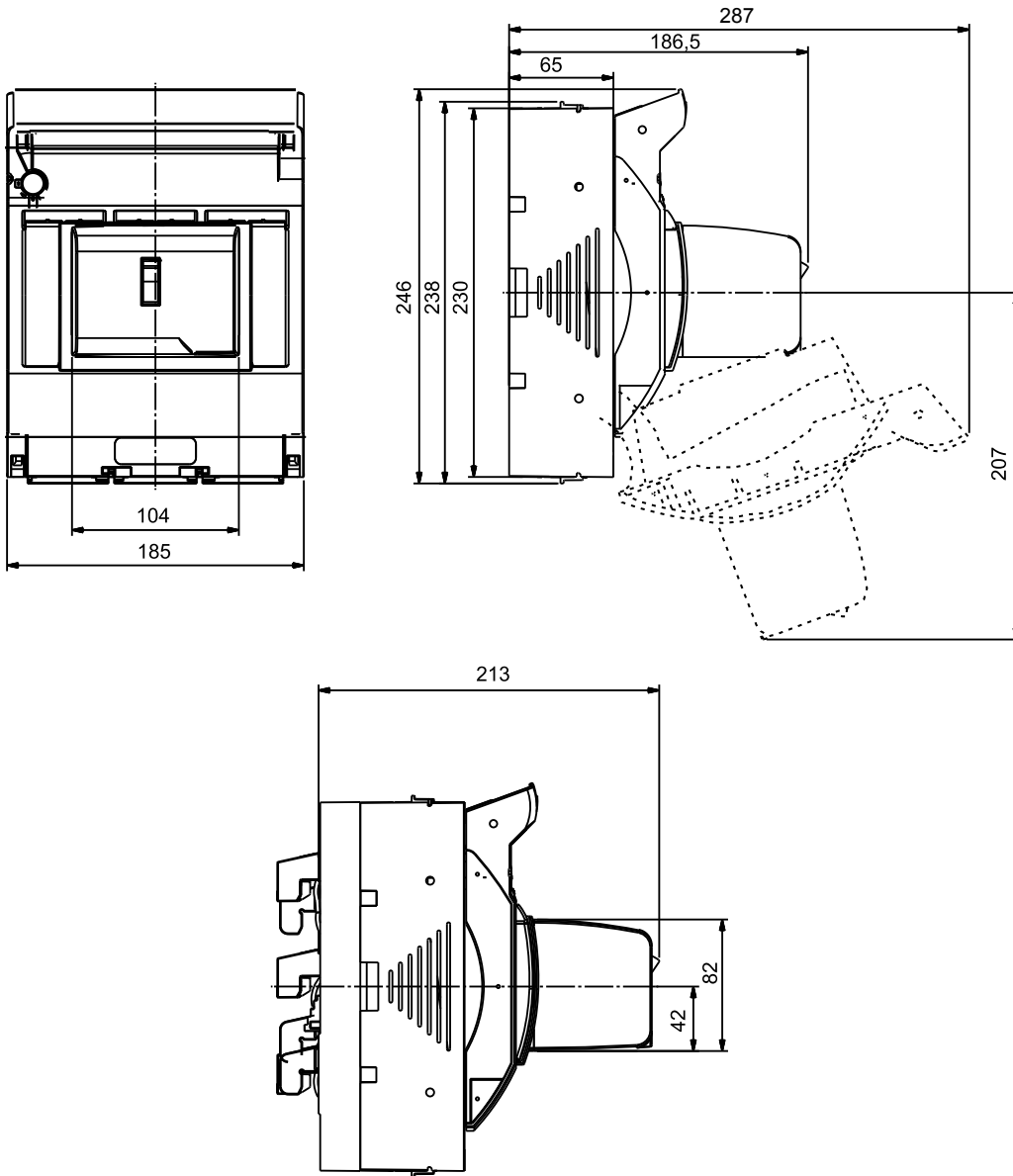
Dimensions in mm

MULTIBLOC® 1.RST8

Size 1, 250A, 690VAC, Design for bus bar installation, Triple Pole

DIMENSIONS

MULTIBLOC® 1.ST8 and 1.RST8
triple pole with electro-mechanic fuse monitoring MZS (M01135-1)



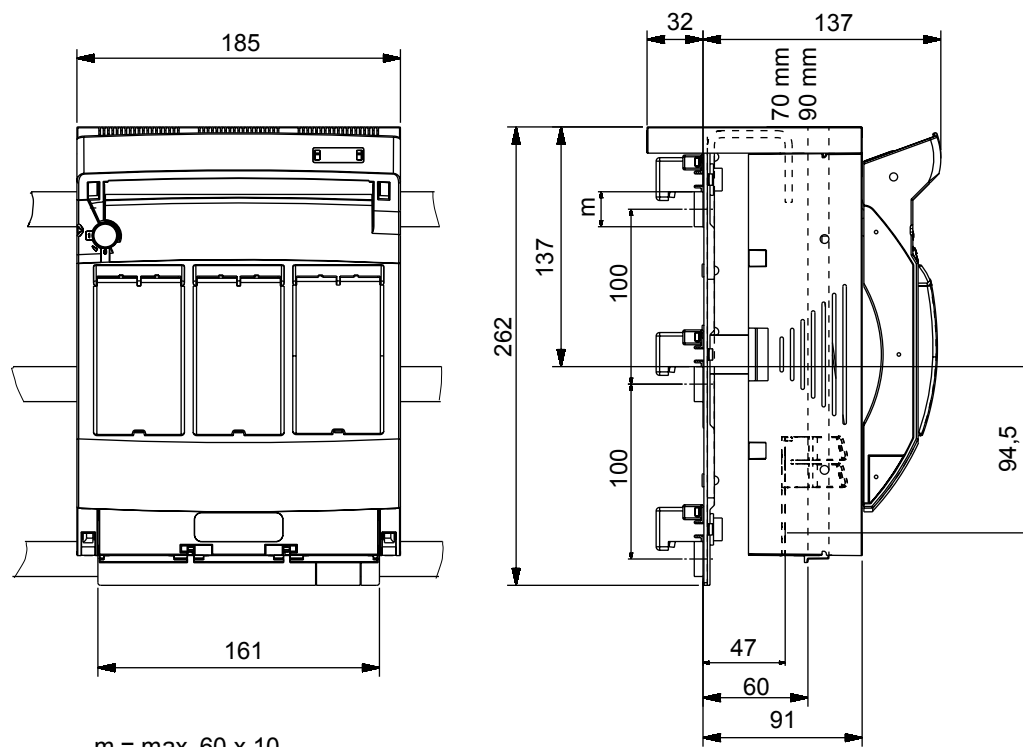
Dimensions in mm

MULTIBLOC® 1.RST8

Size 1, 250A, 690VAC, Design for bus bar installation, Triple Pole

DIMENSIONS

**MULTIBLOC® bus bar adapter
with clamp terminal for 1.ST8 (M01151a-1)**



m = max. 60 x 10

tightening torque: M10: 25 Nm
M8: 15 Nm

Dimensions in mm

MULTIBLOC® 1.RST8

Size 1, 250A, 690VAC, Design for bus bar installation, Triple Pole

DIMENSIONS

Cable termination size 1 (MA 98e-1)

screw terminal:
(standard)

M10x20 screw
tightening torque 20Nm

spring washer M10

cable lug
or
copper bar

size. 1: for values x smaller than 2.5 mm
use washer in addition

bolt terminal:
(standard)

M10 nut
tightening torque 20Nm

spring washer M10

washer

M10x30 screw
tightening torque 20Nm

terminal: clamp strap:
(option/accessory)

Gr.1: M6x30 screw
tightening torque 6Nm

spring ring

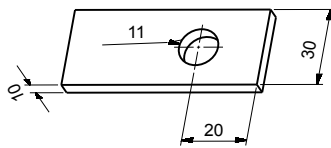
clamp strap

screw and bolt terminal for

cable lugs:

size. 1:	DIN 46234 max. 150mm ²	2
	DIN 46235 max. 150mm ²	2
	DIN 46329 max. 185mm ²	2

copper bars:



size 1:

for round stranded conductors 70-150mm²
for bars or laminated copper 18 x 7-18

Dimensions in mm

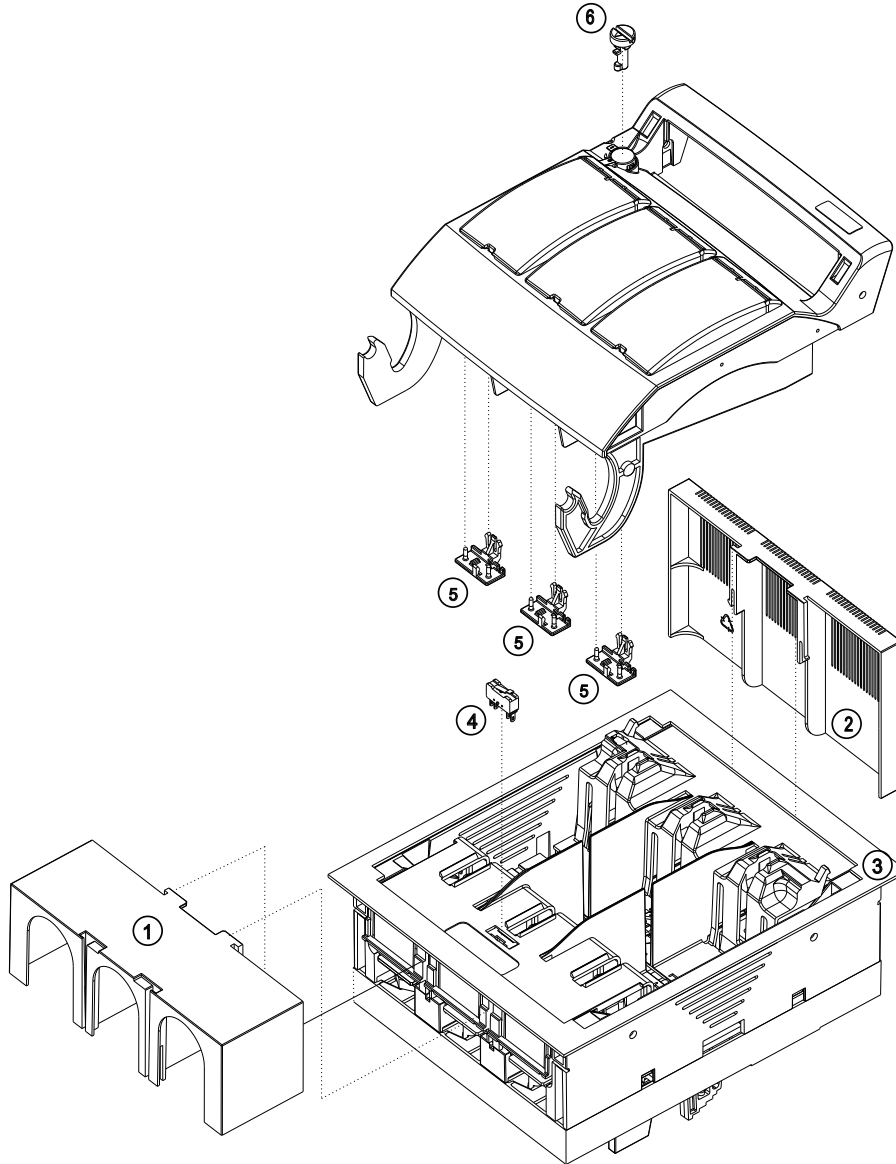
MULTIBLOC® 1.RST8

Size 1, 250A, 690VAC, Design for bus bar installation, Triple Pole

EXPLODED SKETCH

MULTIBLOC® 1.RST8 NH-fuse switch disconnecter
triple pole design for bus bar installation

(E 1.000.408)

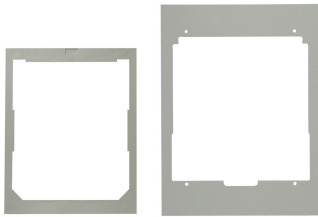


no.	articulnumber	short Description
1	1.000.382	Cover for cable termination triple pole
2	1.003.329	bus bar touch protection
3	1.000.353	Cover shield, 210 x 260 mm
4	1.000.852	indicator for switch door position
5	1.000.150	Locking device f. windows, 1 Set=3 pieces
6	1.000.155	Cover sealing device, installation set

MULTIBLOC® 1.RST8

Size 1, 250A, 690VAC, Design for bus bar installation, Triple Pole

ACCESSORIES

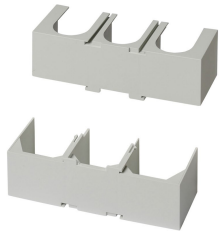


1.000.353

1.002.351

Cover shields

Catalog number	Item number	Design	Package	Weight
Covers/cover shields				
1.000.353	Z229884	cover shield for installation in distribution units size (width x height): 210 x 260 mm for one 1.ST8/1.RST8 triple pole	1 piece	68 g
1.002.351	X1022968	cover shield for installation in distribution units size (width x height): 230 x 283 mm for one 1.ST8/1.RST8 triple pole	1 piece	90 g



1.000.382

Cover/shrouds for cable termination

Catalog number	Item number	Design	Package	Weight
Covers/shrouds for cable termination				
1.000.382	V229880	cover for cable terminal connection for 1.ST8 triple pole, 1 set = 2 pieces	1 set	0.29 kg
1.003.329	G1023115	bus bar touch protection for 1.RST8	1 piece	82 g



1.000.852

Indication facilities

Catalog number	Item number	Design	Package	Weight
Indication facilities				
1.000.852	Q1002285	indicator for switch door position micro switch, 1 change-over contact 5 A, 250 V	1 piece	90 g



1.000.155

Locking and sealing devices/cover sealing device

Catalog number	Item number	Design	Package	Weight
Locking and sealing devices/cover sealing device				
1.000.155	L229297	cover sealing device-installation set for 00.ST8 1-, 2-, 4-pole and 1.ST8/RST8	1 piece	10 g



1.000.150

Locking and sealing devices/locking device for window

Catalog number	Item number	Design	Package	Weight
Locking and sealing devices/locking device for window				
1.000.150	K229296	locking device for window for 00.ST8 1-, 2-, 4-pole and 1./2.ST8/RST8 1 set = 3 pieces	1 set	20 g

MERSEN reserves the right to change, update or correct, without notice, any information contained in this datasheet.

MULTIBLOC® 1.RST8

Size 1, 250A, 690VAC, Design for bus bar installation, Triple Pole

ACCESSORIES



1.000.420



1.001.830

Varieties of cable termination

Catalog number	Item number	Design	Package	Weight
Varieties of cable termination				
1.000.420	E229889	clamp strap 70–150 mm ² pour 1.ST8 1- 4-pôle + 1.RST8, 1 set = 3 pièces	1 set	0.14 kg
1.001.830	J1023117	V-shaped lug size 1, M8, for V-terminal clamp size 1 for 1.ST8 1- to 4-pole + 1.RST8, supplementary set for V-terminal with use of V-clamps 1 set = 3 pieces	1 set	90 g